

STI Universal Stopper®



PRODUCT OVERVIEW

These indoor and outdoor low profile or dome polycarbonate covers protect devices such as manual call points, emergency buttons and dual action pull stations etc., without restricting legitimate operation. The versatile cover offers excellent protection against physical damage (both accidental and intentional), dust and grime as well as severe environments inside and out.

IMPORTANT NOTICE

When used on fire systems, Universal Stopper is intended for areas where the incidence of false fire alarms from manual call points is high or has proven to be a serious problem. Any disadvantage of the device is more than balanced when one considers the consequences of false fire alarms, especially if fire service personnel and equipment are responding to a false fire alarm when they are needed for a real fire somewhere else. Add to this the disruption to the facility when false alarms occur. If you have, or may have, a problem with false fire alarms or physical/weather damage to your fire alarm activation devices, the Universal Stopper could prove invaluable.

KEY FEATURES

General Information

- These indoor and outdoor low profile or dome polycarbonate covers can protect a variety of devices without restricting legitimate operation.
- Three year guarantee against breakage of polycarbonate in normal use (one year on electromechanical and electronic components).

Design

- Prevents false alarms, without hindering legitimate operation of a manual call point in the event of an emergency.

Construction

- Tough polycarbonate housing can withstand severest of knocks.

Installation

- A simple 4 fixing installation can retrofit over existing device.
- Can accommodate flush or surface mount applications.
- Polycarbonate tested -40°C (-40°F) to 49°C (120°F).

Electronics

- Available with or without a 96 dB integral sounder, powered by a 9V PP3 battery. The sounder draws immediate attention to the area.
- Optional 12-24 VDC powered units.

Options

- Break seal available.
- Available in a range of colours.
- Custom labelling available.

ASTEC B.V.

Kerkweg 70
6155 KN Puth
Tel. +31 (0)46 443 55 77
Fax. +31 (0)46 443 04 82
E-mail: info@astec.nl
Internet: www.astec.nl



For more information, call +44 (0)1527 520 999 or visit www.sti-europe.com

STI Universal Stopper®

Dimensions and Technical Information

BUILD YOUR OWN MODEL

STI-1

Cover Options:

3 = Dome cover
4 = Low profile cover

Mounting Options:

0 = Flush Mount
1 = Surface Mount - Clear Spacer (Dual Mount)
2 = Surface Mount - Hinged Coloured Spacer
3 = Enclosed Flush Back Box
4 = US Enclosed Back Box, ¼ NPT Thread Point & Sealed Mounting Plate
5 = US Enclosed Back Box, ¼ NPT Thread Point & Open Mounting Plate
6 = European Enclosed Back Box, 20mm Thread Point & Sealed Mounting Plate
7 = European Enclosed Back Box, 20mm Thread Point & Open Mounting Plate
8 = US Enclosed Back Box, ¼ NPT Thread Point & European Sealed Mounting Plate
9 = US Enclosed Back Box, ¼ NPT Thread Point & European Open Mounting Plate
A = European Enclosed Back Box, 20mm Thread Point & US Sealed Mounting Plate
B = European Enclosed Back Box, 20mm Thread Point & US Open Mounting Plate

NB: Options 2, 4, 5, 8, 9, A & B are special orders and would acquire longer lead times

Hood/Horn Options:

00 = No Label hood (Label option must be NC)
10 = Label hood without sounder**
20 = Label hood with sounder**
30 = Label hood with sounder and relay**
** All colours except NC

Housing/Sounder Colour & Label Options:

FR = Red - Fire Label	Custom Label
EG = Green - Emergency Exit Label	CK = Black
	CB = Blue
No Label	CG = Green
NK = Black	CR = Red
NB = Blue	CW = White
NC = Clear	CY = Yellow
NG = Green	
NR = Red	For custom label option, must provide wording (2 lines, 30 characters per line including spaces limit)
NW = White	
NY = Yellow	

EXTERNAL DIMENSIONS (mm):

Mounting Option	Height	Width	Depth
Flush	207	137	68
Surface	207	137	105
Enclosed Flush Back Box	207	137	71
Enclosed Back Box	207	137	102

APPROVALS

TESTING

- ADA Compliant
- Cover option '3' only has been tested and approved or listed by:
- UL/cUL Listed No. S2466 (Type rating pending).

Back box with opened mounting plate

- IP rating 56

Back box with sealed mounting plate

- IP rating 66

MODELS AVAILABLE

STI-13010-FR Universal Stopper, (flush mounted, dome cover) without sounder, with fire label

STI-13120-EG Universal Stopper, (surface mounted, dome cover) with sounder, with emergency exit label

PLEASE REFER TO BUILD YOUR OWN MODEL TO GENERATE OVER 500 VARIATIONS OF THIS PRODUCT

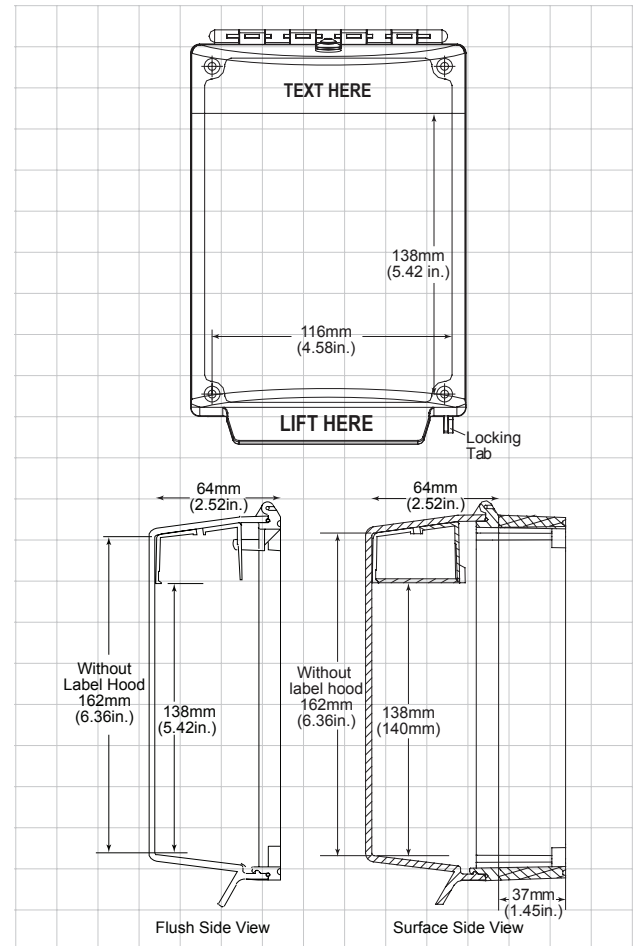
ACCESSORIES:

STI-1331 37mm Spacer
DC1224 Remote Wiring Harness for Remote Power
CKS013 1224 VDC Converter and Gland
E009 Servicing Pin
STI-1314 Universal Stopper Backplate
CKS001 Replacement Horn Kit
STI-1401 Gasket for Enclosed Flush Back Box
STI/BS Break Seals (Quantity. 10)

NB:

- Red Fire Label: 'In Case of Fire - Lift Cover Break Glass'
- Green Emergency Exit Label: 'In Case of Emergency - Lift Cover Break Glass to open Door'
- European Enclosed Back Box = Clear Frosted
- US Enclosed Back Box = Coloured

INTERNAL DIMENSIONS:



Safety Technology International

UK Office
Taylor House
34 Sherwood Road
Bromsgrove
Worcestershire
B60 3DR, England

Tel: +44 (0)1527 520 999
Fax: +44 (0)1527 501 999
info@sti-europe.com
www.sti-europe.com

USA Head Office
2306 Airport Road
Waterford, Michigan
48327 - 1209

Tel: +248-673-9898
Fax: +248-673-1246
Toll-free: 0800-888-4STI
info@sti-usa.com
www.sti-usa.com