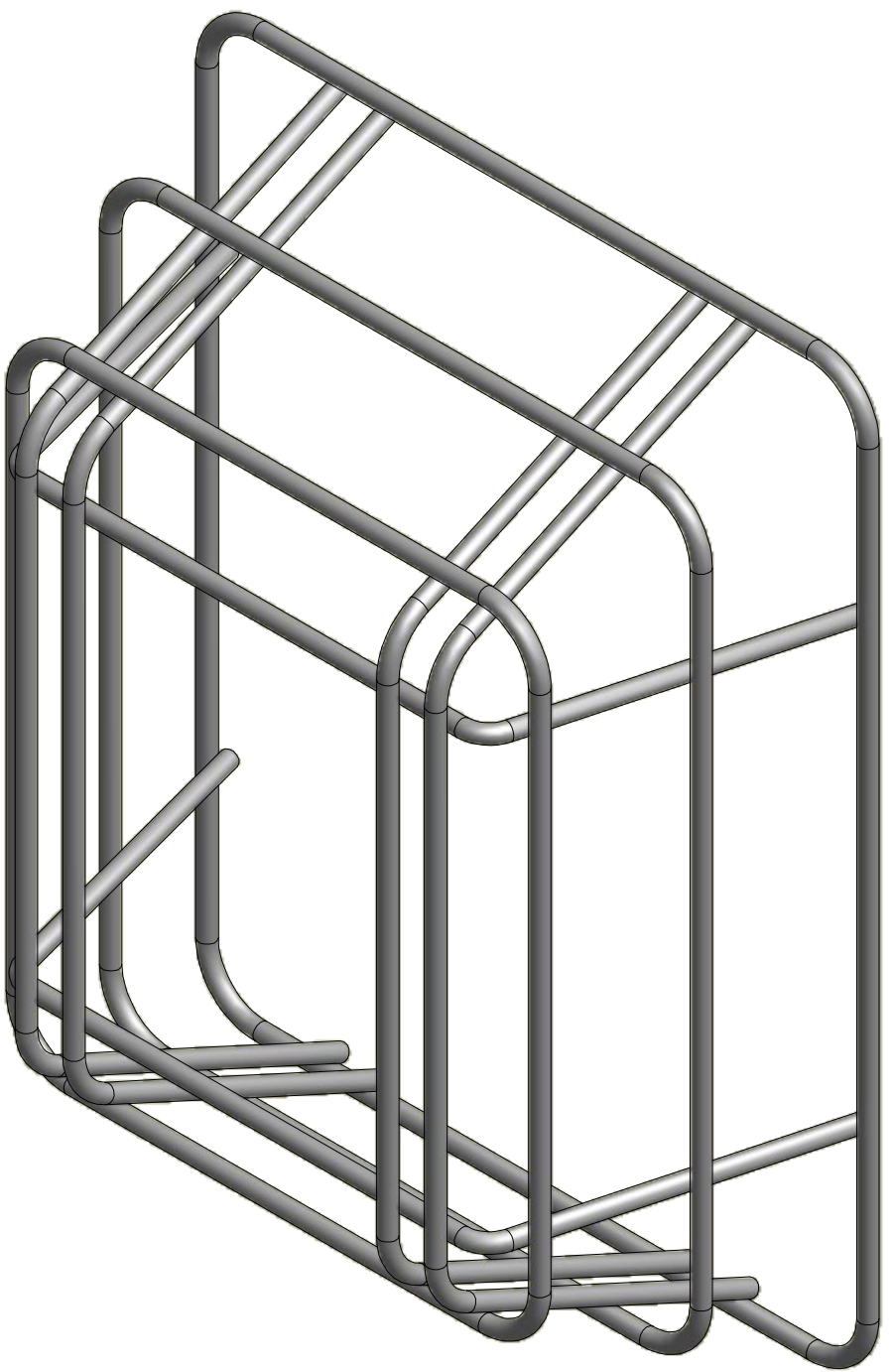
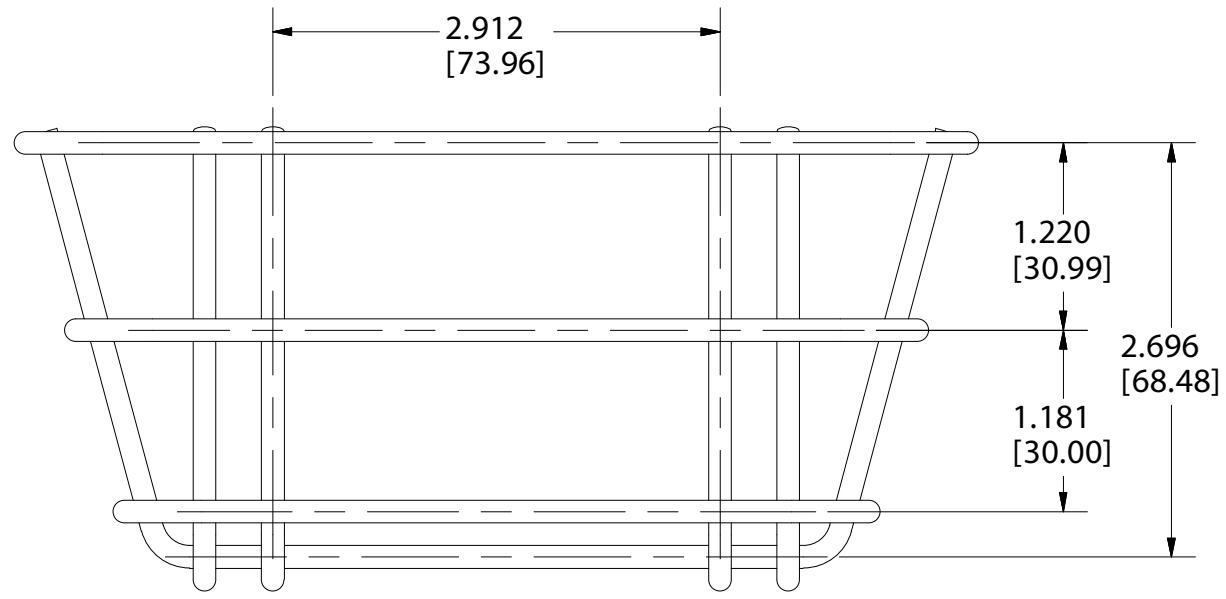


4

3

2

1



D

D

C

C

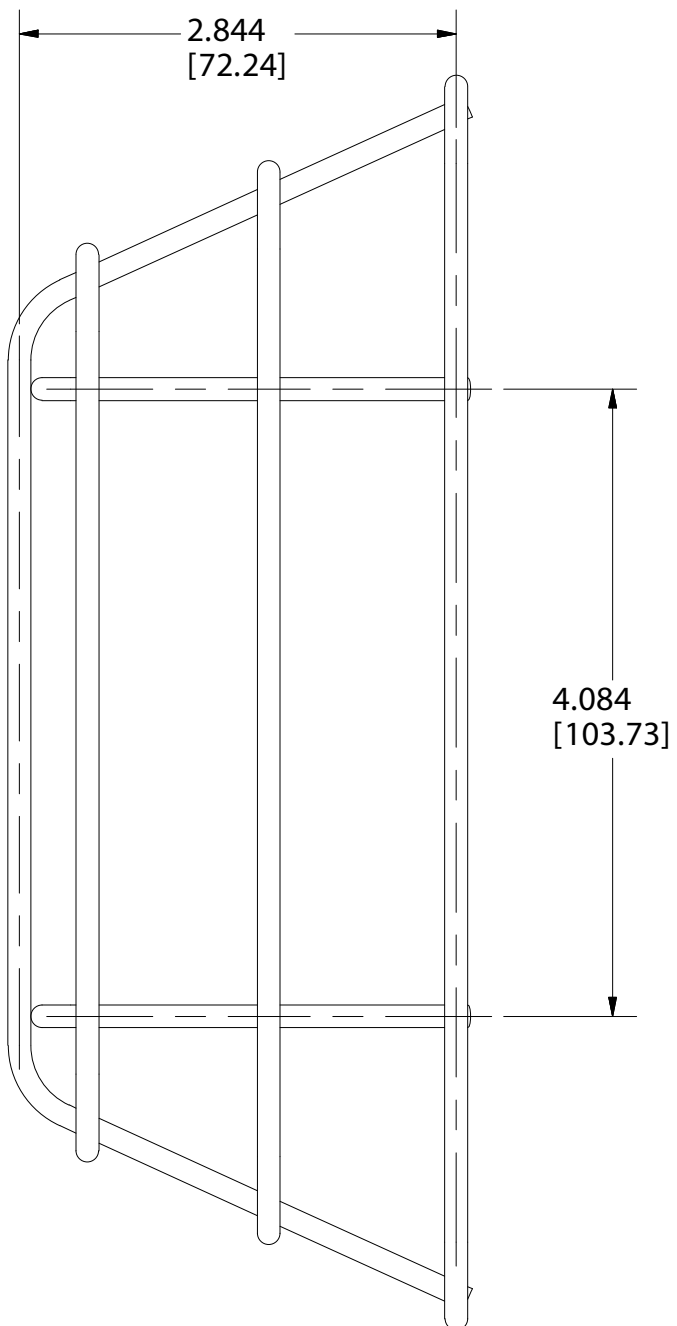
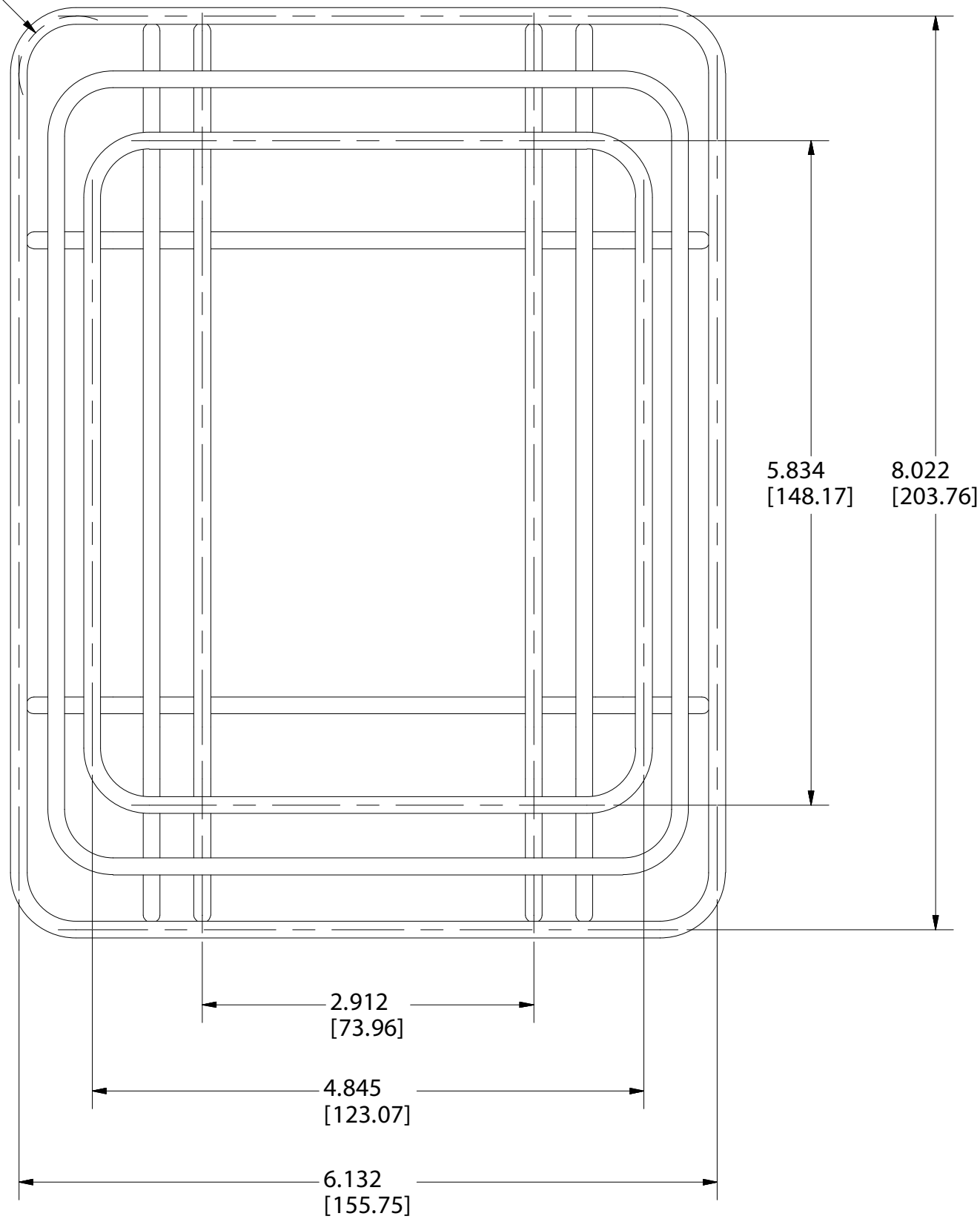
B

B

A

A

R0.500 [12.70]



NOTES:

- Material: Hard Drawn Steel Wire
- Thickness: 9 Gage (.148 Dia.) Before PE Coating
- Dimensions: All Wire Dimensions Are To Centerline Of Wire.

ASTEC_{B.V.}

Kerkweg 70
 6155 KN Puth (NL)
 Tel.: +31 (0)46 443 55 77
 Fax: +31 (0)46 443 04 82
 E-mail: info@astec.nl
 Internet: www.astec.nl

DRAWN Jockert	12/13/2010	Safety Technology International, Inc. 2306 Airport Road, Waterford, MI 48327	
CHECKED		TITLE	
QA		STI-9803 (Anti Vandal Cage)	
MFG		SIZE C	DWG NO 9624M-2 Assembly
APPROVED		SCALE	REV
			SHEET 1 OF 1

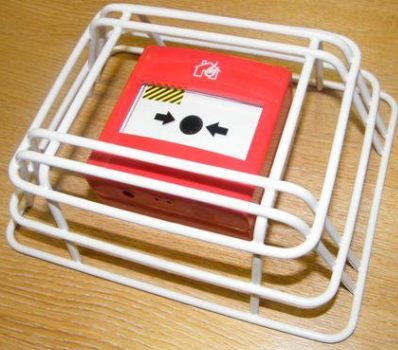
4

3

2

1

STI(E) call point



STI(E) call point



KAC call point



KAC call point



Germany call point



Germany call point



France call point



France call point

