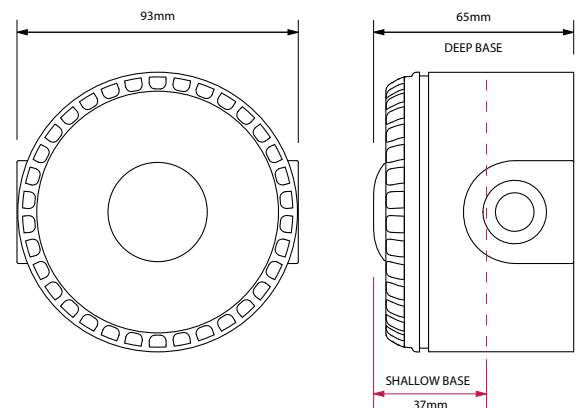


The Solista LX Ceiling has a unique lens design that distributes the light in a cylindrical shape, to achieve the required illumination specified by EN 54-23. Designed for installation at a height of up to 3m and with a discrete appearance, the device is ideal for a variety of applications.



## Technical Specification

Mounting Type	Ceiling
Voltage	9 – 60Vdc
Current	10 – 25mA dependent on setting
Coverage (y)	7.5m (Switchable to 3m)
Mounting Height (x)	3m (max)
Coverage Volume Code	C-3-7.5
Coverage Volume	132m <sup>3</sup> (21m <sup>3</sup> )
Flash Rate	1Hz (Switchable to 0.5Hz)
Operating Temperature	-25°C - +70°C
Monitoring	Reverse Polarity
Protection	IP33C Shallow Base IP65 Deep and U Base
Weight	100g
Body Colour	White or Red
Flash Colour	White or Red



### Features

- Ultra low current consumption
- Up to 7.5m coverage volume
- 0.5Hz or 1Hz Flash rate
- Coverage switch to 3m

### Benefits

- Use where current consumption is a key consideration
- Ideal for bedrooms, bathrooms and toilets
- Switch flash rate to 0.5Hz to reduce current consumption
- Reduces power consumption by up to 50%

### Reference

SOL-LX-C/WF/W1/S  
SOL-LX-C/WF/W1/D  
SOL-LX-C/RF/W1/S  
SOL-LX-C/RF/W1/D

### Catalogue No.

812020FULL-0121X  
812021FULL-0122X  
812022FULL-0123X  
812023FULL-0124X

### Description

Solista LX Ceiling, White Flash, White Body, Shallow Base  
Solista LX Ceiling, White Flash, White Body, Deep Base  
Solista LX Ceiling, Red Flash, White Body, Shallow Base  
Solista LX Ceiling, Red Flash, White Body, Deep Base

For full list of part numbers, turn to page 31

**ASTEC**<sub>B.V.</sub>

Kerkweg 70  
6155 KN Puth (NL)  
Tel.: +31 (0)46 443 55 77  
Fax: +31 (0)46 443 04 82  
E-mail: [info@astec.nl](mailto:info@astec.nl)  
Internet: [www.astec.nl](http://www.astec.nl)