

Fire Detection Control Panel

BC06-1, BC06-2

- For application in small systems
- Up to 6 detector zones in conventional technology
- Differentiation between the activation of automatic detectors and manual call points on the same detector line
- Evacuation function (NEN 2575)
- Tested to EN 54-2, -4 by VdS



Fire is a permanent threat to life and property. Therefore, immediate response to a fire is imperative. The main objective of the Fire Detection Control Panel Series BC06 is to alarm and to react in time and, consequently, save lives and protect property. For decades LST have focused their aims to undertaking unrivaled efforts in order to realise new innovations in the security area. Research, development and production are loca-

ted within LST premises, thus guaranteeing flexible and reliable individual solutions.

Using a powerful processor system and a large number of integrated functions, the Fire Detection Control Panels Series BC06 ensure topmost efficiency and speed – prerequisites for saving lives and minimising damage to property.

Description

Already in the basic version the Fire Detection Control Panels BC06-1 and BC06-2 are equipped with four detector lines and, owing to its sophisticated factory settings, are immediately ready for operation. This allows for quick and efficient application of the product.

The conventional technology allows for the connection of automatic and non-automatic fire detectors as well as a wide range of special detectors with contact output. Alarms from manual call points and from automatic detectors that are connected together to one detector line can be differentiated and thus evaluated differently by the fire detection control panel, by means of an optional coding module.

Thanks to the two auxiliary inputs whose parameters can be freely set as well as the eight open-collector outputs with predefined function, manifold tasks in the field of fire alarm technology can be realised.

The optional evacuation function serves for the activation of alarming devices independent from activated alarms. Depending on the parameterisation, different country-specific regulations (e.g., NEN 2575) can be fulfilled.

The Fire Detection Control Panels BC06-1 and BC06-2 provide a slot for the installation of the optional Zone Extension Board ZEB2-1. With this expansion module the control panel can be upgraded from four to six detector zones.

A printer for the event log can be connected via the optional Serial Interface Module SIM06-1.

The Fire Detection Control Panel BC06-2 differs from the BC06-1 by the additionally integrated 4-digit electronic alarm counter.



0786-CPD-20807

Building Safety. Building Security.

The LST logo, featuring the letters 'LST' in a bold, blue, sans-serif font with horizontal lines through the letters.

Clear Concept

The Fire Detection Control Panels BC06-1 and BC06-2 have been designed for use in small fire detection systems and already in the basic version they provide the following features:

- 4 conventional detector lines permit the connection of automatic detectors and manual call points in conventional technology as well as special detectors with contact output. Each detector line can be individually parameterised as detector zone for fire alarms or as detector zone for fault messages.
- If automatic detectors and manual call points are connected together on one detector line, their activations can be differentiated and evaluated differently by the control panel. To this aim, the manual call points must be equipped with a special coding module.
- A slot for connecting the Zone Extension Board ZEB2-1 is available to facilitate the extension to 6 conventional detector lines.

The installation of the zone extension board is automatically detected by the control panel and the corresponding parameters are set to initial values.

- Two individually monitored, separately activated siren outputs with an output current of 1A and 0.5A respectively, allow for the connection of acoustic or optical signalling devices. When parameterised accordingly, the siren outputs can also be operated as evacuation circuits.
- Dry relay outputs indicate the alarm and fault conditions of the control panel. In addition, 8 open-collector outputs with fixed preset functions as well as two auxiliary inputs whose parameters can be freely set are available for general control tasks.
- Logical combinations of detector zones for the activation of external alarming devices allow for a high degree of flexibility. Thus, no additional expenses arise for external relays or logic gates. Thanks to the wide range of parameterisation possibilities, individual requirements even under the most difficult ambient conditions can be combined into a reasonable fire protection strategy.
- All events that occur can be output in English via a connected printer or PC. Thus, all system conditions and user operations that occurred are documented in a clearly laid out way.

- The Fire Detection Control Panel BC06-2 includes a 4-digit, non-resettable alarm counter which indicates the total number of alarms by means of an LC display in the operating field.
- A possible breakdown of the central processing board is securely detected and displayed by the system.
- The processor-monitored power supply ensures permanent supervision and charging of the batteries. This way, even during a power failure the untroubled and uninterrupted operation (for more than 72 hours depending on the design of the batteries) is guaranteed.
- Three hierarchised authorization levels for operation and parameterisation provide a high degree of security against unauthorized access.
- The control panel is easily operated and the parameters are set via the display and operating field. LEDs indicate the current menu and the selected parameter. This facilitates user guidance during commissioning, operation and maintenance.
- The initial commissioning of the control panel is significantly facilitated by the practical factory settings. This guarantees easy and time-saving commissioning.

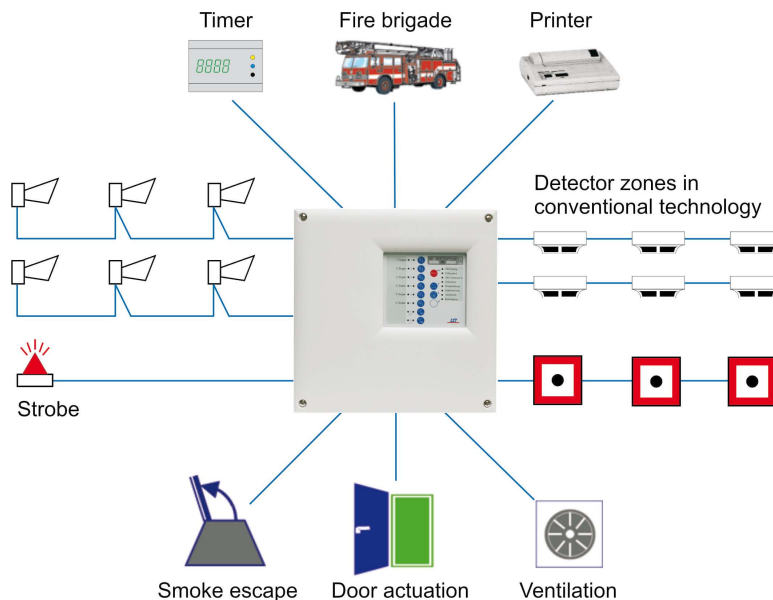
The extremely flat wall-mount cabinet allows for an easy mounting in virtually any place of the building. Thanks to its modern, ageless design, architectural requirements and demands of the respective regulations are ideally combined. Thanks to the compact design, the standard case can accommodate batteries with up to 7Ah also in the event of full extension (central processing board, optional zone extension board and an auxiliary module) of the control panel. Series BC06 thus stands for modularity and easy expansion.

This product complies with all relevant standards of EN 54 and is tested by the VdS. LST's high quality level is secured by a permanently monitored quality management system certified to ISO 9001.

Permanent Connection

A variety of peripheral devices can be connected to the Fire Detection Control Panel Series BC06:

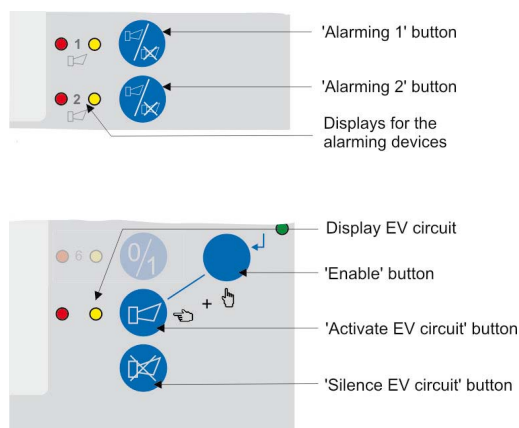
- Acoustic and optical signalling devices
- Fire controls
- External protocol printer
- Transmitting devices for alarm transmission – and much more.



Evacuation functions

In order to comply with different country-specific requirements, the control panel can be equipped with an evacuation function for the manual activation of the alarming devices also without fire alarm (evacuation alarm). This function is determined by the installer during parameterisation. Two modes of operation are available therefore:

- With the „Evacuate function“ the undelayed activation of the desired alarming device occurs by pressing the corresponding „Alarming“ button and is indicated by a red LED. Pressing the button once again will silence the alarming device again, regardless of as to whether the evacuation alarm has been triggered by a fire alarm or manually.
- For the „Evacuation circuit / NEN 2575“, additional operating buttons for the operation of the evacuation circuit are enabled during commissioning. An optional front foil is used for the labelling of these buttons. This function always acts on both alarming devices. In order to activate the alarming devices, the „Enable“ button must be pressed in addition to the „Activate EV circuit“ button. The alarming devices are silenced again by pressing the „Silence EV circuit“ button. The condition of the alarming devices is indicated via LEDs.



Specifications

Mains voltage	230VAC +10/-20%, 47...63Hz
Output voltage	typ. 27.6VDC
Output current of power supply	max. 2.3A
Output current, siren outputs	
output 1	max. 1A
output 2	max. 0.5A
(the sum of the currents of the signalling devices that are connected to the two outputs must not exceed 1A!)	
Own current consumption at 24V	typ. 70mA (without optional components, line termination 5.6k Ω) typ. 55mA (without optional components, line termination 47 μ F)
Line voltage	typ. 20V (line termination 5.6k Ω) typ. 23V (line termination 47 μ F)
Line current without fire detectors	typ. 3.7mA (line termination 5.6k Ω) typ. 0mA (line termination 47 μ F)
Line termination	5.6k Ω or 47 μ F
Line resistance	max. 50 Ω per core
Ambient temperature	-5°C to +50°C
Relative humidity	max. 95% (no condensation)
Dimensions W x H x D	330 x 330 x 90 (mm)
Colour	grey-white, RAL 9002
Weight without batteries	approx. 3kg
Approval	0786-CPD-20807

Fire Detection Control Panel BC06-1

Order number	210205
Order name	Fire Detection Control Panel BC06-1/INT1

Fire Detection Control Panel BC06-2

Order number	210209
Order name	Fire Detection Control Panel BC06-2/INT1

