

Extinguishing Control Panel BC06-2EXT/INT11

- For application in aerosol extinguishing systems
- 4 outputs for direct connection of pyrotechnic initiators, expandable to 16 outputs
- 4 detector zones in conventional technology
- Clear status indication and easy operation on the panel front
- EN 54, EN 12094-1, VdS certified
EN 15276-2 compliant



Fire is a permanent threat to life and property. Therefore, immediate response to a fire is imperative. The main objective of the Fire/Extinguishing Control Panels Series BC06 is to alarm and to react in time and, consequently, save lives and protect property. For decades LST have focused their aims to undertaking unrivaled efforts in order to realise new innovations in the security area. Research, development and production are loca-

ted within LST premises, thus guaranteeing flexible and reliable individual solutions.

Using a powerful processor system and a large number of integrated functions, the Fire/Extinguishing Control Panels Series BC06 ensure topmost efficiency and speed – prerequisites for saving lives and minimising damage to property.

Description

The combined Fire Detection/Extinguishing Control Panel BC06-2EXT/INT11 is designed for the monitoring and control of aerosol extinguishing systems according to EN 15276-2. In the case of activation, the panel is able to simultaneously actuate a maximum of 16 pyrotechnic initiators for aerosol extinguishers.

Already in the basic version the combined control panel is equipped with four conventional detector lines and four monitored extinguishing outputs for the direct connection of pyrotechnic initiators. Owing to its sophisticated factory settings, the panel is immediately ready for operation. This ensures a quick and efficient application of the product.

The conventional technology allows for the connection of automatic and non-automatic fire detectors as well as a wide range of special detectors with contact output. Alarms from manual call points and from automatic detectors that are connected to the same detector line

can be distinguished and thus evaluated differently by the fire/extinguishing control panel.

The control panel provides appropriate inputs and outputs for monitoring and controlling the components of the aerosol extinguishing system. The display and operating elements that are necessary for the status indication and the operation of the extinguishing system are integrated into the keypad.

Thanks to the two auxiliary inputs with freely settable parameters as well as the eight open-collector outputs, manifold tasks in the field of fire alarm technology can be realised. The optional evacuation function serves for the actuation of alarming devices independent from activated alarms.

The Fire/Extinguishing Control Panel BC06-2EXT includes an integrated 4-digit electronic alarm counter. A printer for the event log can be connected via the optional Serial Interface Modul SIM06-1.



0786-CPD-20808

Building Safety. Building Security.

Clear concept

The combined Fire/Extinguishing Control Panel BC06-2EXT/INT11 has been designed for use in small fire detection and aerosol extinguishing systems, and already in the basic version it provides the following features:

- 4 conventional detector lines permit the connection of automatic detectors and manual call points in conventional technology as well as special detectors with contact output. Each detector line can be individually parameterised as detector zone for fire alarms or as detector zone for fault messages.
- If automatic detectors and manual call points are connected together on the same detector line, their activations can be distinguished and evaluated differently by the control panel. To this aim, the manual call points must be equipped with a special coding module.
- The integrated extinguishing function allows for the direct connection and actuation of up to 4 pyrotechnic initiators for aerosol extinguishers according to EN 15276-2.

The panel can be expanded to a maximum of 16 extinguishing outputs with simultaneous activation, by means of the expansion module SZ58-3 and the Ignition Circuit Expansion Module ZKE2-1.

In the course of commissioning the control panel, the required extinguishing functions and delay times are parameterised according to the country specific regulations.

- Two individually monitored, separately actuated siren outputs with an output current of 1A and 0.5A respectively, allow for the connection of acoustic or optical signalling devices.
- Dry relay outputs indicate the alarm and fault conditions of the control panel. In addition, 8 open-collector outputs with freely settable parameters as well as two auxiliary inputs are available for general control tasks.

8 further open-collector outputs provide preset functions for the extinguishing system.

- Logical combinations of detector zones for the activation of external alarming devices and for the actuation of the extinguishing system allow for a high degree of flexibility. A double-knock combination ensures a very high degree of security against unwanted activation of the extinguishing circuits by false alarms. Thus, no additional expenses arise for external relays or logic gates.

- Thanks to the wide range of parameterisation possibilities, individual requirements even under the most difficult ambient conditions can be combined into a reasonable fire protection strategy.
- All events that occur can be output in English via a connected printer or PC. Thus, all system conditions and user operations that occurred are documented in a clearly laid out way.
- The Fire/Extinguishing Control Panel BC06-2EXT includes a 4-digit, non-resettable alarm counter which indicates the total number of alarms by means of an LC display in the operating field.
- The processor-monitored power supply ensures permanent supervision and charging of the batteries. This way, even during a power failure the untroubled and uninterrupted operation (for more than 72 hours depending on the design of the batteries) is guaranteed.
- Three hierarchised authorization levels for operation and parameterisation provide a high degree of security against unauthorized access.
- The control panel is easily operated and the parameters are set via the display and operating field. LEDs indicate the current menu and the selected parameter. This facilitates user guidance during commissioning, operation and maintenance.
- The initial commissioning of the control panel is significantly facilitated by the practical factory settings. This guarantees easy and time-saving commissioning.

The extremely flat wall-mount cabinet allows for an easy mounting in virtually any place of the building. Thanks to its modern, ageless design, architectural requirements and demands of the respective regulations are ideally combined. Thanks to the compact design, the standard case can accommodate batteries with up to 7Ah. Series BC06 thus stands for modularity and easy expansion.

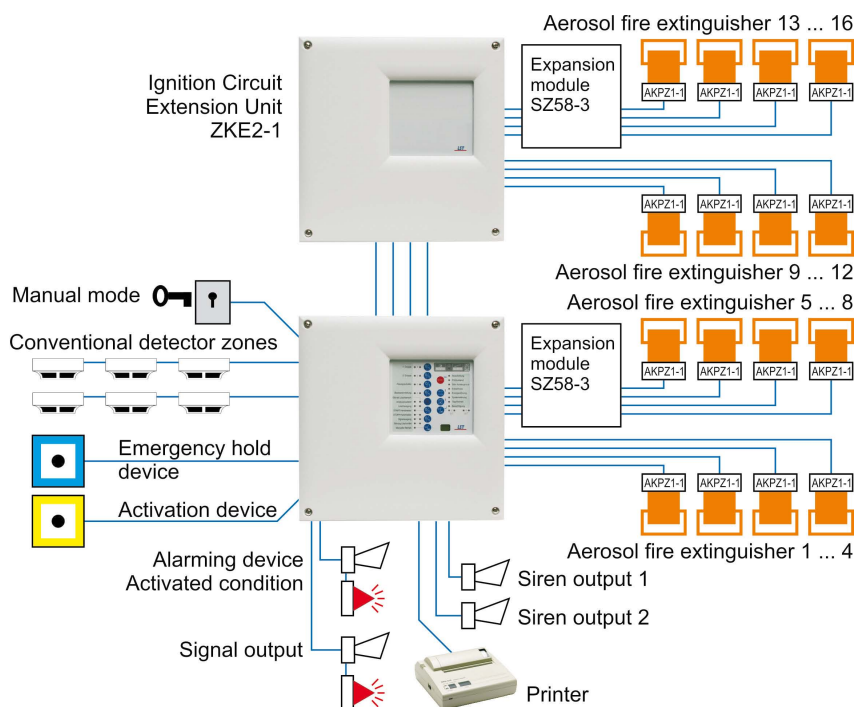
This product is tested and certified according to the standards EN 54 and EN 12094-1 by the VdS. The panel also complies with EN 15276-2. LST's high quality level is secured by a permanently monitored quality management system certified to ISO 9001.

Extinguishing control

The Fire/Extinguishing Control Panel BC06-2EXT/INT11 provides numerous inputs and outputs with fixed or parameterisable function. With that, the following components of an aerosol extinguishing system can be actuated and monitored:

- Activation devices for the manual activation of the extinguishing process
- Emergency hold devices for the manual delay of the extinguishing process
- Emergency abort devices for aborting the extinguishing process

- A device for switching to the manual mode – for example, a key switch
- Signalling devices for indicating the activated condition and the released condition
- The control devices for activating the extinguishing process – for example, a pyrotechnic initiator
- Fault detection devices for monitoring the components of the extinguishing system
- Auxiliary outputs for actuating flaps or for turning off devices and systems



Extinguishing system components

The combined Fire Detection/Extinguishing Control Panel BC06-2EXT/INT11 provides 4 outputs for the actuation of pyrotechnic igniters for aerosol extinguishers. For the connection of each igniter, a Pyrotechnic Igniter Connector Adapter AKPZ1-1 is needed.

The control panel can be easily expanded to 8 extinguishing outputs with the installation of an expansion module SZ58-3. By means of the optional Ignition Circuit Expansion Module ZKE2-1, the BC06-2EXT/INT11 can actuate a total of 16 aerosol extinguishers.

Display and operating elements

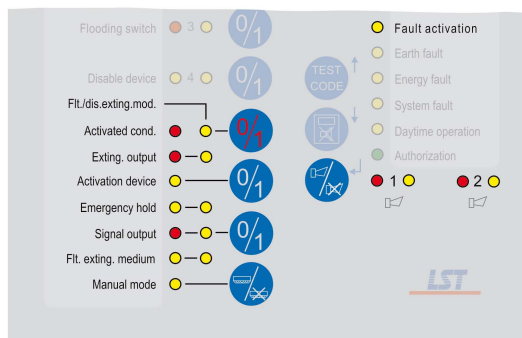
The operating field of the Fire/Extinguishing Control Panel BC06-2EXT/INT11 provides 13 LEDs for displaying the operating conditions and 4 buttons for the operation of the extinguishing system.

The LEDs indicate the following operating conditions:

- Pre-activation/activation of the extinguishing output
- Released condition of the extinguishing output
- Extinguishing output fault
- Extinguishing system fault/disablement
- Extinguishing medium fault/fault of the fault input
- Emergency hold/emergency hold device fault
- Activation device fault/disablement
- Signal output activated/signal output faulty/disabled
- Manual mode of the extinguishing system
- Fault of the activated condition output

The buttons on the operating field have the following functions:

- Disable/enable the extinguishing output
- Start/terminate the manual mode
- Disable/enable the activation devices
- Disable/enable the signal output



Specifications

Mains voltage	230VAC +10/-20%, 47...63Hz
Output voltage of power supply	typ. 27.6VDC
Output current of power supply	max. 2.3A
Output current, siren outputs output 1 output 2	max. 1A max. 0.5A
Output current, activated condition output/signal output	max. 0.5A per output
Output current per ignition circuit at 24VDC	min. 1.4A, 10ms
Time offset between ignition circuits	max. 100ms
Line termination, conventional detector lines	5.6kΩ or 47μF
Ambient temperature	-5°C to +50°C
Relative humidity	max. 95% (no condensation)
Dimensions W × H × D	330 × 330 × 90 (mm)
Colour	grey-white, RAL 9002
Weight without batteries	approx. 3kg
Approvals	VdS G209163 0786-CPD-20808
Order number	210230
Order name	Fire/Extinguishing Control Panel BC06-2EXT/INT11

Expansion module 4 circuits

Order number	223026
Order name	Siren Connection Module SZ58-3

Connection adapter for pyrotechnic igniter

Order number	210232
Order name	Pyrotechnic Igniter Connector Adapter AKPZ1-1

Extension unit for 8 additional ignition circuits

Order number	210231
Order name	Ignition Circuit Expansion Module ZKE2-1

Building Safety. Building Security.

