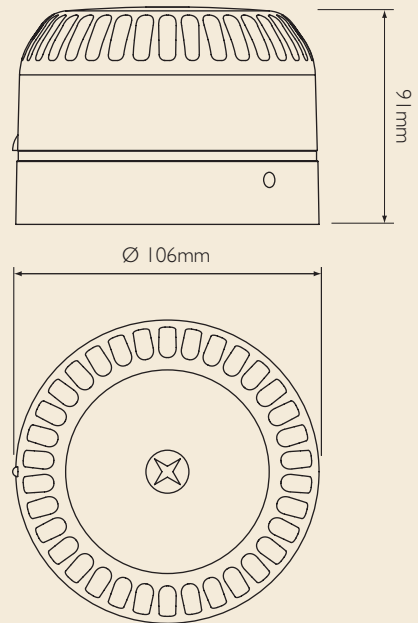


SOLEX XENON BEACONS



The Sorex range of xenon beacons are a replacement for the earlier BE and Inergi (IB) beacons. The increased functionality of the Sorex permits a much reduced range of products and therefore allows a simplified stock holding and easier choice for the installer. The wide operating voltage, increased efficiency and automatic synchronisation of the Sorex make them a universal solution for all types of alarm and monitoring system.

- WIDE OPERATING VOLTAGE UP TO 60Vdc
- CURRENT SURGE SUPPRESSION
- AUTOMATIC SYNCHRONISATION
- HIGH EFFICIENCY
- CONSTANT PERFORMANCE OVER VOLTAGE RANGE
- LOCKING BASE
- TAMPER SWITCH FOR SECURITY APPLICATIONS
- FIVE LENS COLOURS

ASTEC.B.V.

Kerkweg 70
6155 KN Puth (NL)
Tel.: +31 (0)46 443 55 77
Fax: +31 (0)46 443 04 82
E-mail: info@astec.nl
Internet: www.astec.nl

Specification

Voltage	10 to 60Vdc (*1)	
Current	Sorex 3 - 35mA @24Vdc Sorex 10 - 80mA @ 24Vdc Sorex 15 - 220mA @24Vdc	
Light source	Xenon	
Light output	Sorex 3 - 2.5Cd Sorex 10 - 10Cd Sorex 15 - 15Cd	
Flash rate	1Hz	
Synchronisation	10ms over 30mins	
Temperature	- 25°C to + 70°C	
Monitoring	Reverse polarity	
Anti-tamper (where fitted)	Normally closed contact. Contacts open when beacon removed from base	
Protection	IP54 Shallow base	IP65 Deep & U base
Construction	Base ABS FR	Lens PC
Weight	0.15Kg - Shallow base	0.18Kg - Deep & U base
Lens colour	Red, amber, blue, green or clear	

(*1) Sorex 3 & 10 will operate from 110 / 230Vac when used with a Deep powered base.